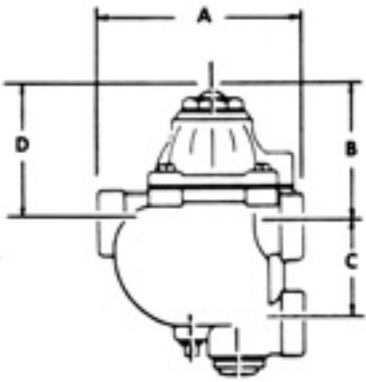


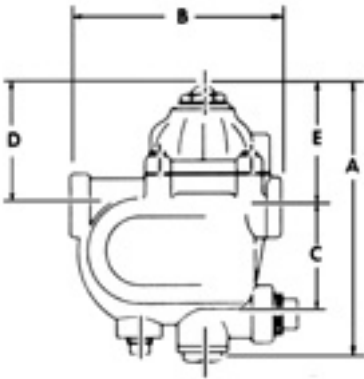
Dimensions And Capacities

SERIES 12/512

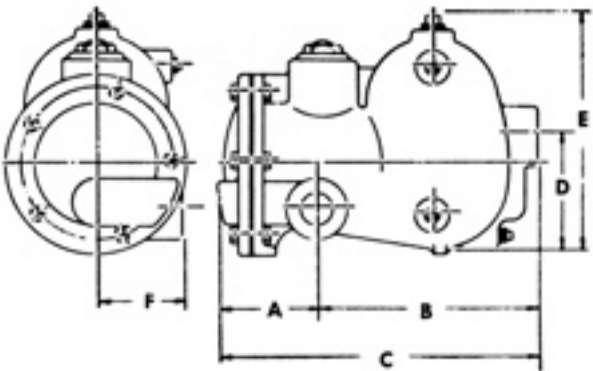


Series 12/512 and 8/508 Float and Thermostatic Traps are compact, light and easy to clean, service and install.

SERIES 8/508



SERIES 14/514



Roughing in Dimensions: Series 12/512

Size	A	B	C	D	Weight
3/4" or 1"	6 3/16"	4 3/32"	3"	3 31/32"	5.1 lbs

Capacities: No. 12 (Low Pressure 0 to 15 lbs W.S.P.)

Differential Pressure in lbs. per square inch	1/8#	1/4#	1/2#	3/4#	1#	2#	5#	10#	15#
Capacity in lbs. water per hr.	125	175	250	300	350	500	525	550	575

Capacities: No. 512 (Medium Pressure 15 to 125 lbs. W.S.P.)

Differential Pressure in lbs. per square inch	30#	60#	80#	100#	125#	Weight
Capacity in lbs. water per hr.	695	885	1010	1090	1270	5.2 lbs

Roughing in Dimensions: Series 8/508

Sizes	A	B	C	D	E	Weight
1 1/4"	10 9/16"	8"	4 3/16"	4 9/16"	4 11/16"	12.5 lbs
1 1/2"	10 7/8"	8 1/8"	4 1/8"	4 3/4"	4 13/16"	12.7 lbs

Capacities: No. 8 (Low Pressure 0 to 15 lbs W.S.P.)

Differential Pressure in lbs. per square inch	1/8#	1/4#	1/2#	3/4#	1#	2#	5#	10#	15#
Capacity in lbs. water per hr.	300	425	600	735	850	1200	1260	1320	1380

Capacities: No. 508 (Medium Pressure 15 to 125 lbs. W.S.P.)

Differential Pressure in lbs. per square inch	30#	60#	80#	100#	125#	Weight
Capacity in lbs. water per hr.	1300	1600	1810	1985	2215	12.9 lbs

Roughing in Dimensions: Series 14/514

Sizes	A	B	C	D	E	F	Weight
1 1/2"	4 11/16"	11"	15 11/16"	6 1/8"	11 5/8"	4 5/32"	47.0 lbs
2"	4 7/8"	13 5/8"	18 1/2"	6 1/4"	13 23/32"	5"	48.0 lbs

Capacities: No. 14 (Low Pressure 0 to 15 lbs W.S.P.)

(In pounds of condensate per hour at various pressure differentials)

	1/8#	1/4#	1/2#	3/4#	1#	2#	5#	10#	15#
1 1/2"	600	850	1200	1470	1700	2400	2520	2640	2760
2"	1250	1775	2500	3060	3550	5000	5250	5500	5750

Capacities: No. 514 (Medium Pressure 15 to 125 lbs. W.S.P.)

(In pounds of condensate per hour at various pressure differentials)

	30	60	80	100	125	Weight
1 1/2"	3280	4370	2930	3110	3350	56.0 lbs
2"	4525	5915	5340	5725	6200	58.0 lbs